

# SWITCHES MINIATURE & TOGGLE

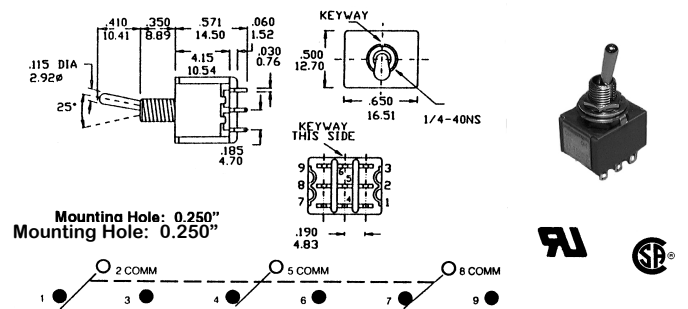
## SPECIFICATIONS:

<b>Current Rating:</b>	5A @ 120V AC/28V DC, 2A @ 250V AC
<b>Initial Contact Resistance:</b>	2-4V DC 1A 10m ohm
<b>Insulation Resistance:</b>	1000 Meg ohm (Min.)
<b>Dielectric Strength:</b>	1000V RMS @ Sea Level
<b>Contact Material:</b>	Coin Silver - Silver Plate
<b>Terminal Material:</b>	Brass - Silver Plate
<b>Terminal Type:</b>	Solder

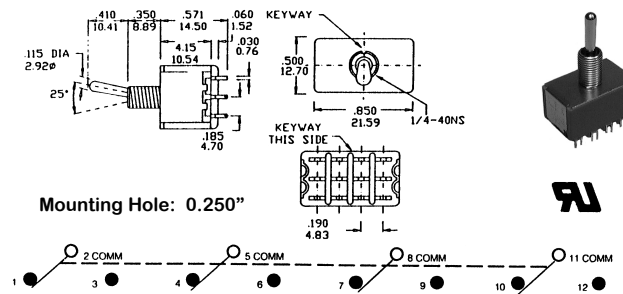
Part No.	Type	Action			Actuator
30-10022	3PDT	ON	-	ON	Metal
30-10024	3PDT	ON	OFF	ON	Metal
30-10026	3PDT	(ON)	OFF	(ON)	Metal
30-10028	3PDT	ON	OFF	(ON)	Metal
<b>Terminal Connection</b>		2-3, 5-6, 8-9	Open	2-1, 5-4, 8-7	

NOTE: ( ) = Momentary

## MINIATURE TOGGLE SWITCHES - 3PDT



## MINIATURE TOGGLE SWITCHES - 4PDT



## SPECIFICATIONS:

<b>Current Rating:</b>	5A @ 120V AC/28V DC, 2A @ 250V AC
<b>Initial Contact Resistance:</b>	2-4V DC 1A 10m ohm
<b>Insulation Resistance:</b>	1000 Meg ohm (Min.)
<b>Dielectric Strength:</b>	1000V RMS @ Sea Level
<b>Contact Material:</b>	Coin Silver - Silver Plate
<b>Terminal Material:</b>	Brass - Silver Plate
<b>Terminal Type:</b>	Solder

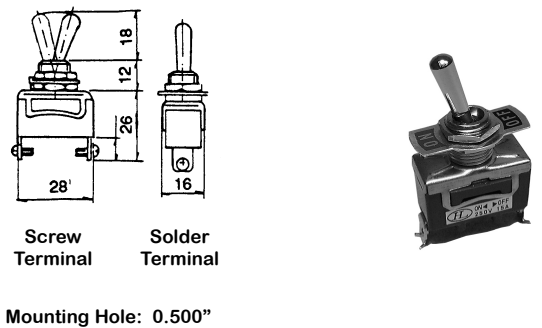
Part No.	Type	Action			Actuator
30-10032	4PDT	ON	OFF	ON	Metal
30-10034	4PDT	ON	-	ON	Metal
<b>Terminal Connection</b>		2-3, 5-6, 8-9, 11-12	Open	2-1, 5-4, 8-7, 11-10	

## SPECIFICATIONS:

<b>Current Rating:</b>	15A @ 125/250V AC
<b>Initial Contact Resistance:</b>	50 Meg ohm
<b>Insulation Resistance:</b>	100 Meg ohm (Min.) @ 500V DC
<b>Dielectric Strength:</b>	1000V AC 50/60 Hz for 1 minute
<b>Contact Material:</b>	Brass - Nickel Plated
<b>Terminal Material:</b>	Brass - Nickel Plated
<b>Actuator Type:</b>	Metal

Part No.	Type	Action			Terminal
30-1100	SPST	ON	-	OFF	Solder
30-1104	SPST	ON	-	OFF	Screw
30-1110	SPDT	ON	-	ON	Solder
30-1114	SPDT	ON	-	ON	Screw
30-1120	SPDT	ON	OFF	ON	Solder
30-1124	SPDT	ON	OFF	ON	Screw

## SPST & SPDT STANDARD SIZE TOGGLE SWITCHES



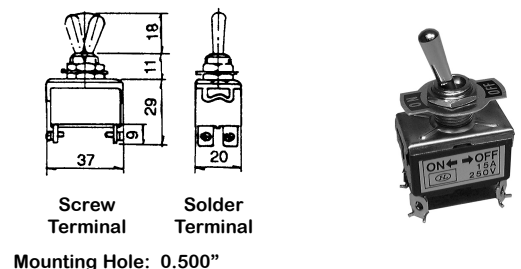
Mounting Hole: 0.500"

## SPECIFICATIONS:

<b>Current Rating:</b>	15A @ 125/250V AC
<b>Initial Contact Resistance:</b>	50 Meg ohm (Max.)
<b>Insulation Resistance:</b>	100 Meg ohm (Min.) @ 500V DC
<b>Dielectric Strength:</b>	1000V AC 50/60 Hz for 1 minute
<b>Contact Material:</b>	Brass - Nickel Plated
<b>Terminal Material:</b>	Brass - Nickel Plated
<b>Actuator Type:</b>	Metal

Part No.	Type	Action			Terminal
30-1130	DPST	ON	-	OFF	Solder
30-1134	DPST	ON	-	OFF	Screw
30-1140	DPDT	ON	-	ON	Solder
30-1144	DPDT	ON	-	ON	Screw
30-1150	DPDT	ON	OFF	ON	Solder
30-1154	DPDT	ON	OFF	ON	Screw

## DPST & DPDT STANDARD SIZE TOGGLE SWITCHES



Mounting Hole: 0.500"